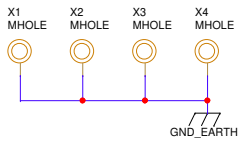
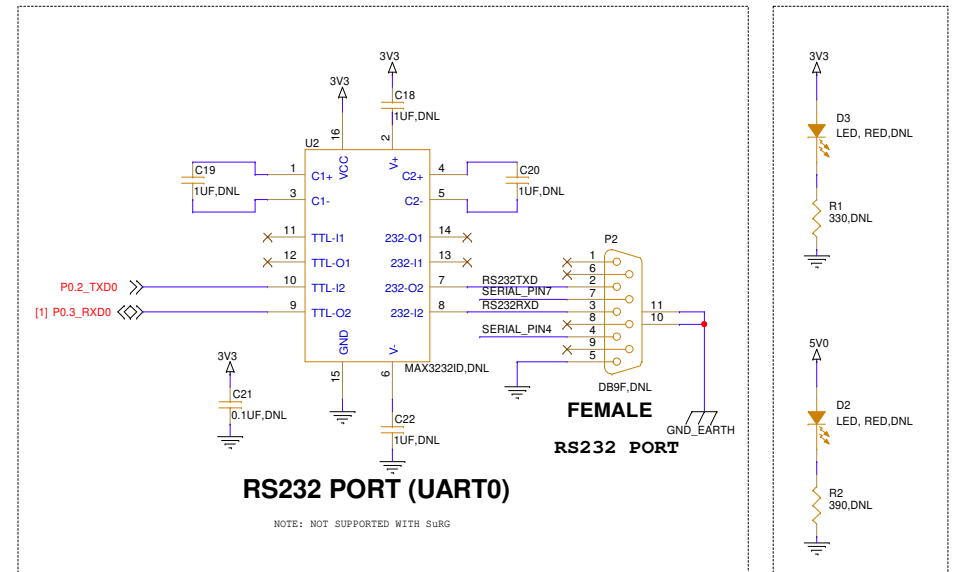
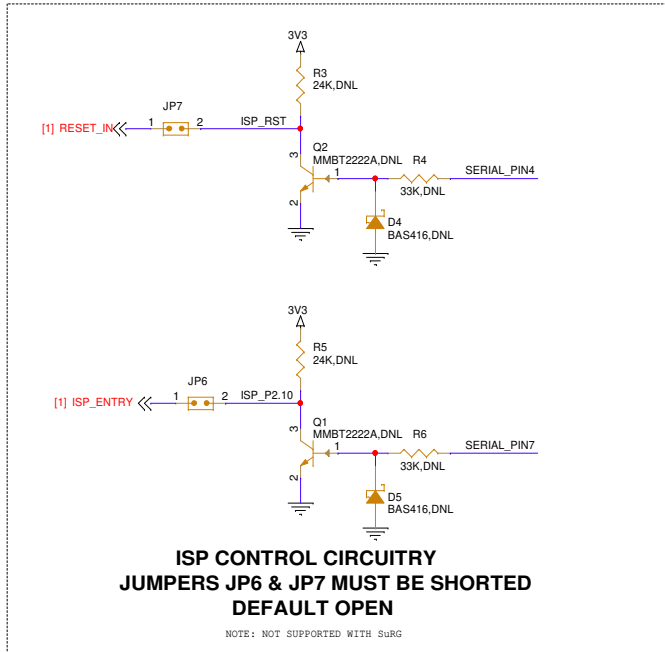
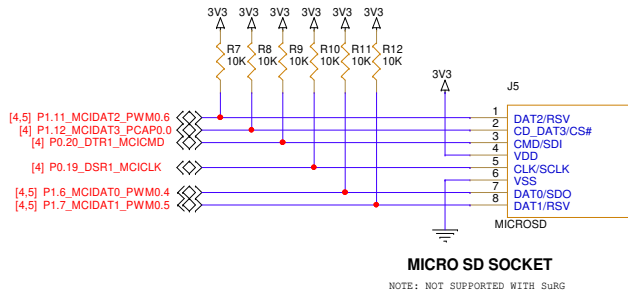
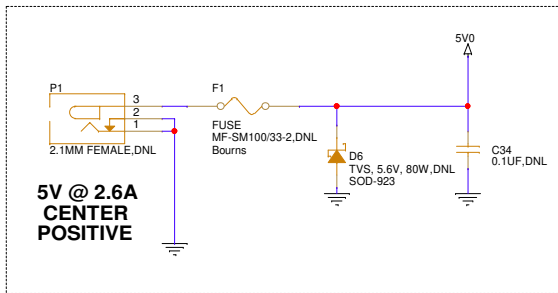


NOTE: NOT SUPPORTED WITH SuRG

NOTE: PINOUT IS MIRRORED IMAGE TO MAIN BOARD SINCE FPC CABLE IS DIRECT CONNECT, FACE-TO-FACE (PIN 1 OF CONNECTORS IS OPPOSITE FROM EACH OTHER)

FUTURE DESIGNS, INC. 986 A CLEANER WAY HUNTSVILLE, AL 35805		FDI
Title: μ EZ GUI EXPANSION BREAKOUT BOARD		
Size: B	Document Number	Rev: 1.1
Date: Wednesday, April 08, 2026	Sheet 1 of 2	



FUTURE DESIGNS, INC. 986 A CLEANER WAY SW HUNTSVILLE, AL 35805		FDI
Title: μ EZ GUI EXPANSION BREAKOUT BOARD		
Size: B	Document Number	Rev: 1.1
Date: Wednesday, April 08, 2026	Sheet: 2 of 2	